

TOGA LED BULKHEAD, 4.5W, 3000K, 4000K, WHITE

This superb bulkhead is ideal where durability and energy efficiency are important factors. With an almost perfect impact rating score of IK09 this fitting will stand the test of time and the occasional intentional damage attempts whilst providing over 100 lumens per circuit watt to help neutralise the buildings Carbon Footprint



Applications:

- Storage areas
- Corridors
- Stair ways
- Wet rooms
- Garage lighting
- Covered walkways
- Paths around buildings

Construction:

Polycarbonate Housing
 Polycarbonate Diffuser
 FR-4 PCB Material

Features:

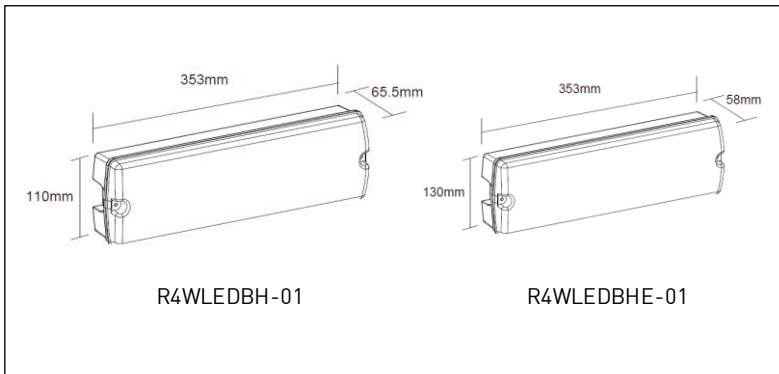
- Standard and emergency versions available
- Polycarbonate housing and prismatic outer diffuser
- Polycarbonate Opal LED diffuser for 3000K version
- Compact dimensions
- Utilises SMD LED's fully tested to LM80 and TM21 to provide:
 - High lumen output
 - Low power consumption
 - High efficacy
 - Very long life
- High quality constant current LED driver
- Retained stainless steel diffuser fixing screws with retained nuts in the housing
- Sprung and hinged gear tray
- 20mm gland entry points, on back and all 4 sides
- Rear screw mounting points moulded into base
- Doubled insulated Class 2 device with 3 large terminals
- Wide operating temperature range and high IP rating
- Complete with Robus 3-year warranty

Benefits:

- Provides an integral emergency solution with the same aesthetics throughout the installation
- Strong and durable
- IK 09 impact rating so not easily damaged if installed outdoors
- Provides an even, diffused, shadow free light
- Low glare so no eye discomfort
- Unobtrusive and will easily mount in areas of limited space
- Compared to T5 Fluorescent:
 - Comparable light output so a one for one replacement
 - Provides energy savings of up to 50%
 - Complies with existing and future government efficacy requirements
 - Very low maintenance costs as there are no lamp changes throughout the rated life of the fitting
- Ensures LED's receive a stable, constant drive current for optimum light output and long LED life
- Fixings are not lost during installation ensuring the fitting is correctly re-assembled to retain its ingress protection
- Fast and simple access to connection area
- Frees up both hands for the mounting and connection process
- Multiple entry points for variety of structured wiring types
- Easy to line up and install
- Loop in/out conductors easily accommodated
- Earth is not required, but provision of an earth terminal is made for earth continuity for Class 1 fittings on the same circuit
- Can be used in areas of high, low or extremes of temperature
- Suitable for indoor or outdoor applications
- Simple hassle-free process with no internet registration required

TOGA LED BULKHEAD, 4.5W, 3000K, 4000K, WHITE

Product Codes:	R4W30LEDBH-01	R4WLEDBH-01 R4WLEDBHE-01
Standard:		
Emergency:		
Comparable to T5 Fluorescent (W):	8	8
Total Power (W):	4.4	4.5
Total Light Output (lm):	490	440
Emergency Light Output (lm):	NA	120
Efficacy (lm / cctW):	113	98
Rated LED Life (hrs):	30,000	30,000
Warranty (yrs):	3	3
Illuminance at 1m (lx):	150	120
Emergency Illuminance at 1m (lx):	NA	25
Beam Angle (deg):	110	150
CCT (K):	3,000	4,000
CRI (Ra):	80	80
Ingress Protection (IP):	65	65
Impact Rating (IK):	09	09
Operating Temperature Standard (°C):	-20 ≤ Ta ≤ +40	-20 ≤ Ta ≤ +40
Operating Temperature Emergency (°C):	NA	-10 ≤ Ta ≤ +40
Operating Voltage (Vac):	220-240	220-240
Power Factor (PF):	0.5	0.5
Box Qty:	1	1
Weight Std/Em (kg):	0.42	0.43/0.65



Accessories:

R4WOP

Opal diffuser accessory

Cone Illuminance Diagram:

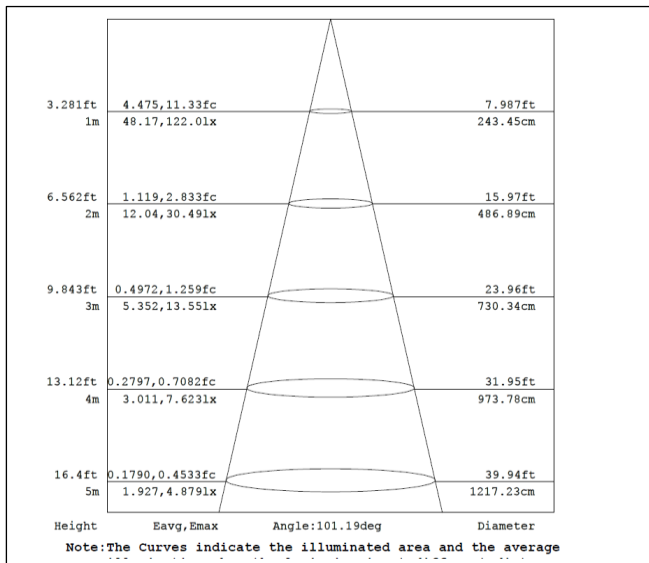
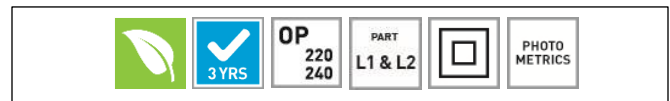


Diagram for R4WLEDBH-01. Other diagrams available on request

Standards & Approvals:

Complies with: EN60598-1, EN60598-2-1, EN62493, EN62031+A1+A2, EN61547, EN61000-3-2, EN61000-3-3, EN50581



Polar Intensity Diagram:

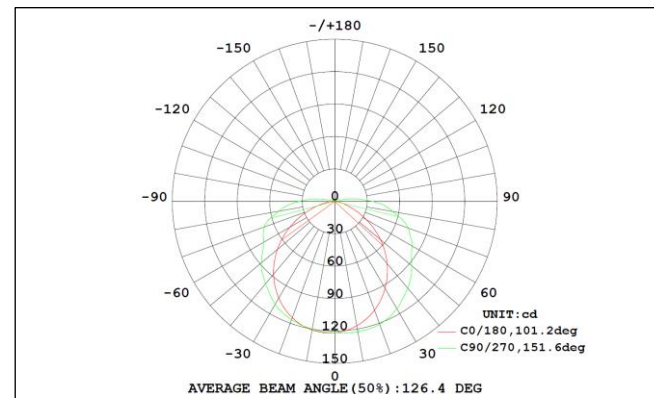


Diagram for R4WLEDBH-01. Other diagrams available on request